



Installation instructions, accessories

Volvo Car Corporation Gothenburg, Sweden

Instruction No	Version	Part. No.
31373471	1.0	31373085

Parking assistance, rear



Installation instructions, accessories

Volvo Car Corporation Gothenburg, Sweden

Special tools

	999 5919 PULLER (SEAL-PINION,CAM-CRANKSHAFT)B200-6304 Tool number:999 5919 Tool description:PULLER (SEAL-PINION,CAM-CRANKSHAFT)B200-6304 Tool boards:46
	999 7234 Hole stamp Tool number:999 7234 Tool description:Hole stamp Tool boards:80
	951 2950 Glue gun (kit) Tool number:951 2950 Tool description:Glue gun (kit) Tool boards:08

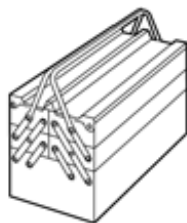
Materials

Designation	Part number
Isopropanol	1161721
Sand paper P1000	
Volvo Original Touch-up paint	
Varnish 2-component	31335447
Activator	8637076
Mixing pipe	1161730
Glue	9511027

Equipment

VIDA

IMG-242205



IMG-345497

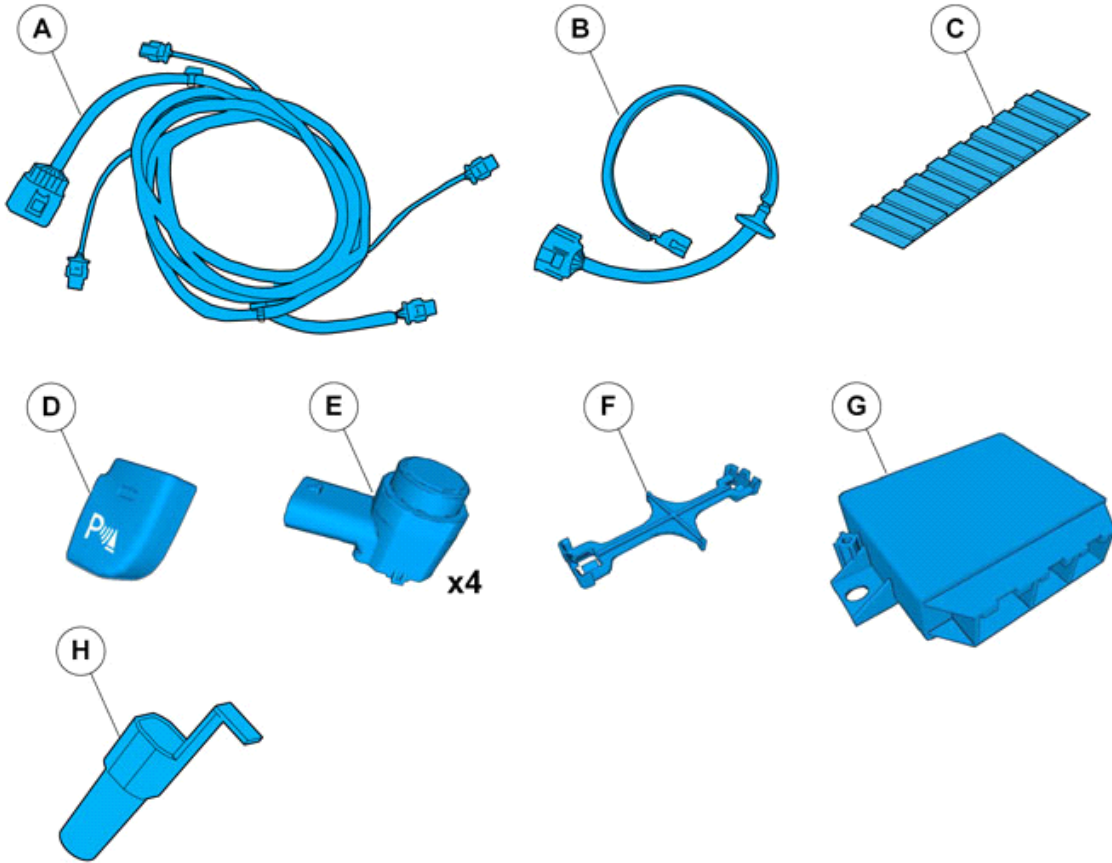


IMG-239981



Installation instructions, accessories

Volvo Car Corporation Gothenburg, Sweden

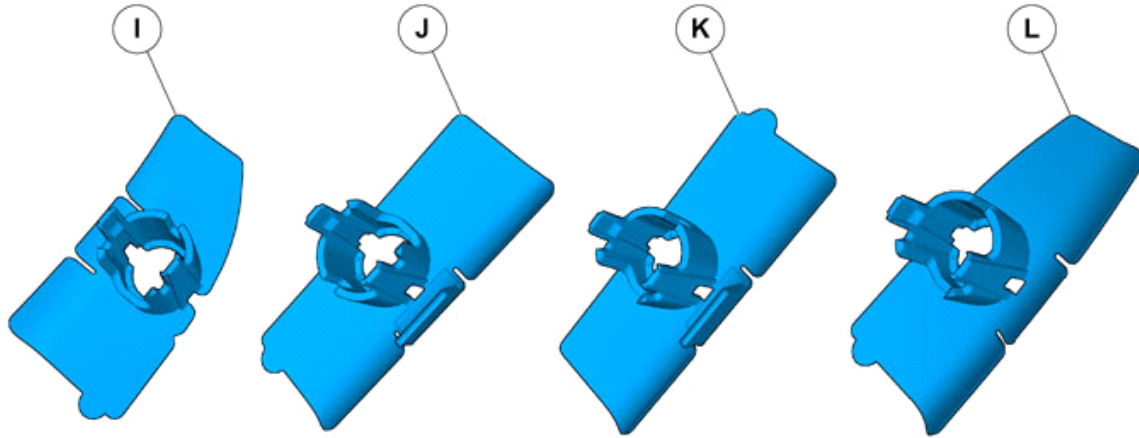


IMG-377192



Installation instructions, accessories

Volvo Car Corporation Gothenburg, Sweden



IMG-377193



Installation instructions, accessories

Volvo Car Corporation Gothenburg, Sweden

Information

1

Read through all of the instructions before starting installation.

Notifications and warning texts are for your safety and to minimise the risk of something breaking during installation.

Ensure that all tools stated in the instructions are available before starting installation.

Certain steps in the instructions are only presented in the form of images. Explanatory text is also given for more complicated steps.

In the event of any problems with the instructions or the accessory, contact your local Volvo dealer.

Further information

2

Note!

Make sure that the customer is advised not to wash the vehicle within the next 72 hours.

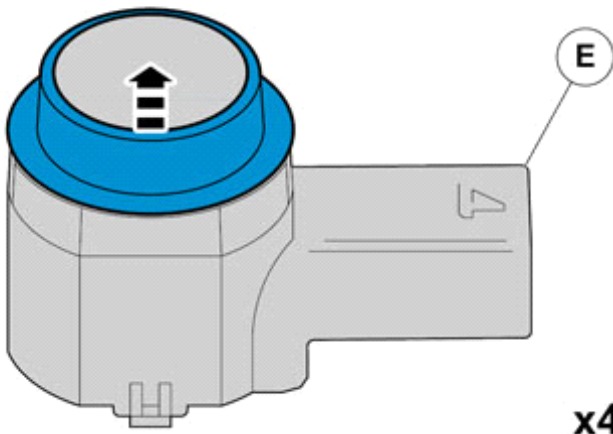
Note!

Make sure that the mating faces are at a minimum temperature of 20°C.

When installing, the car must retain a temperature of 20 degrees C.

After installation, the car must not be driven for 2 hours

3



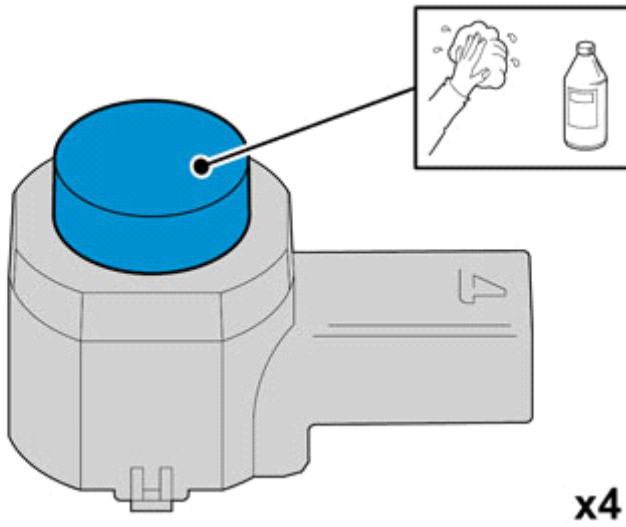
IMG-377194



Installation instructions, accessories

Volvo Car Corporation Gothenburg, Sweden

4



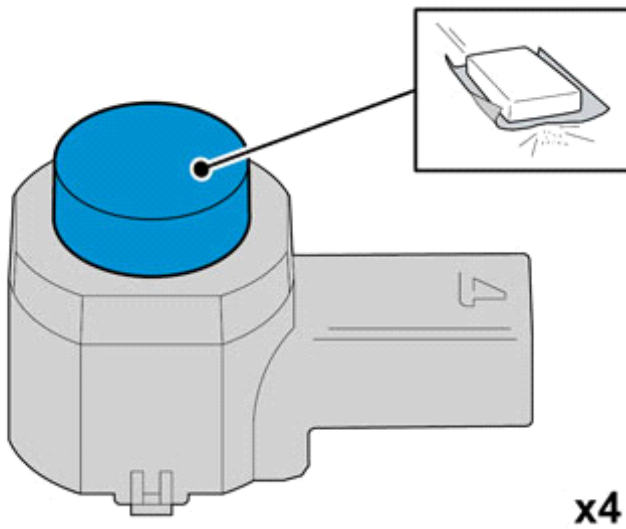
IMG-352653

Clean the surface.

Use: 1161721, Isopropanol

Allow to dry.

5



IMG-352654

Matt the surface gently.

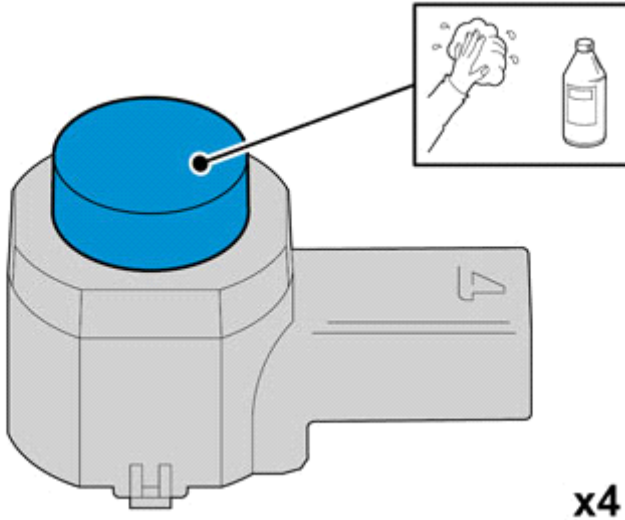
Use: , Sand paper P1000



Installation instructions, accessories

Volvo Car Corporation Gothenburg, Sweden

6



Clean the surface.

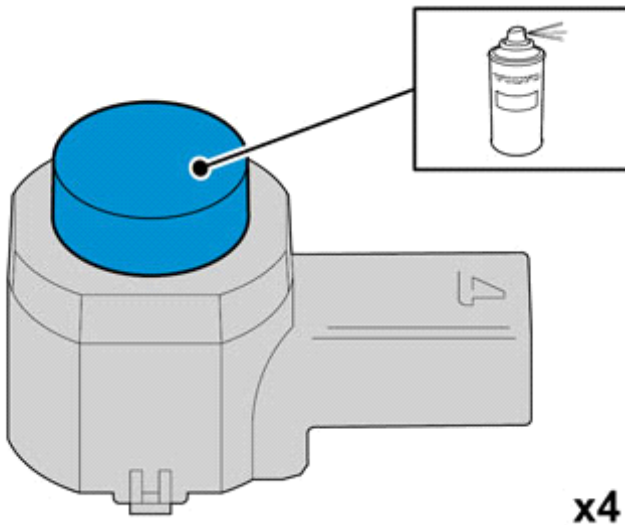
Use: 1161721, Isopropanol

Allow to dry.

x4

IMG-352653

7



Caution!

Protect connector surfaces against paint spray.

Note!

Paint the sensors the same colour code as the vehicle.

Use: , Volvo Original Touch-up paint

Use base coat only.

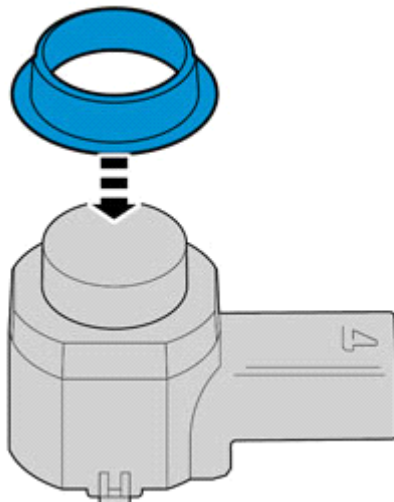
Use: 31335447, Varnish 2-component

Also see the instructions on the container.

x4

IMG-352655

8



Caution!

First the paint must dry after painting.

x4

IMG-352658



Installation instructions, accessories

Volvo Car Corporation Gothenburg, Sweden

Removal

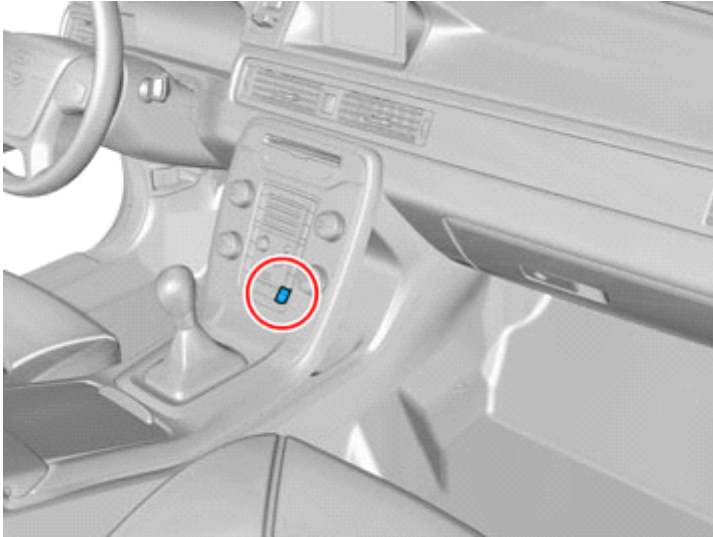
9

Set the ignition key to position 0.



IMG-332193

10



IMG-377098

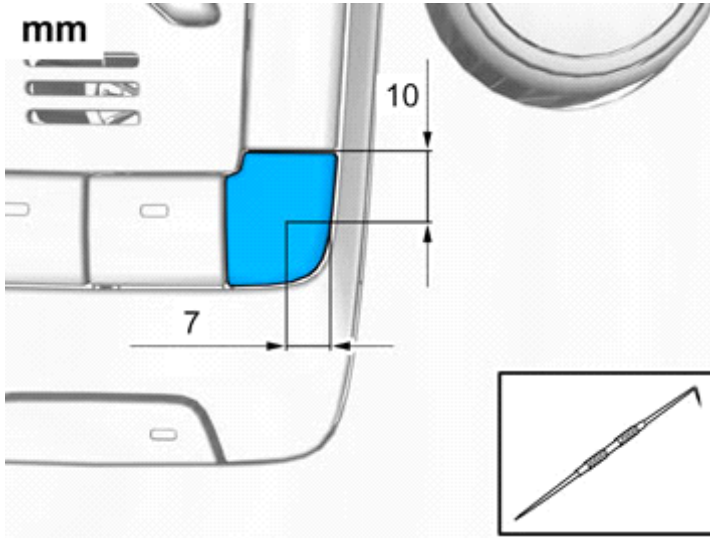
Note!
Orientation view



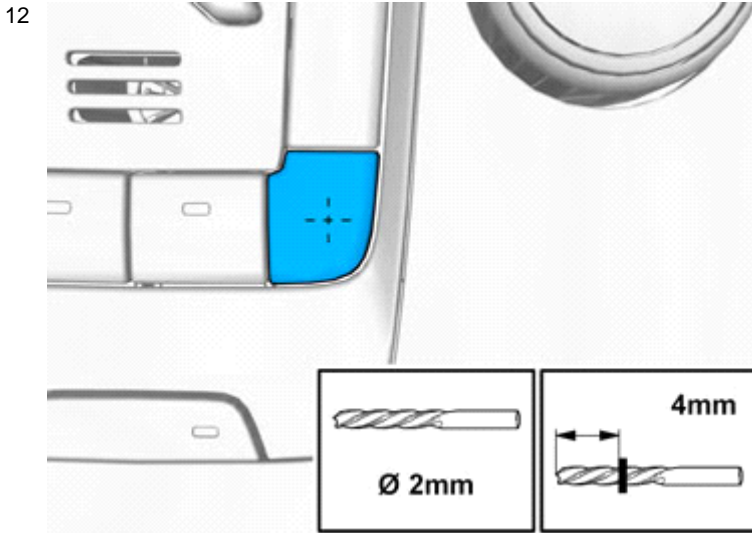
Installation instructions, accessories

Volvo Car Corporation Gothenburg, Sweden

11 Measure and mark as illustrated.

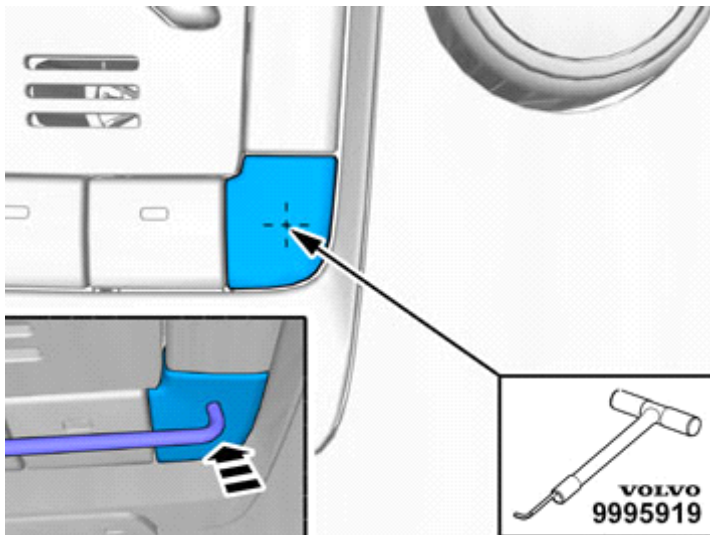


IMG-372212



IMG-372210

13 Use special tool: T9995919, PULLER (SEAL-PINION,CAM-CRANKSHAFT)B200-6304



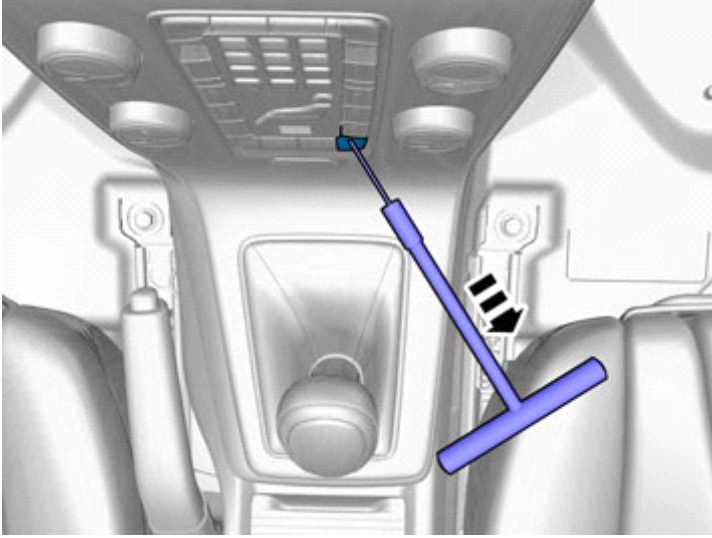
IMG-372209



Installation instructions, accessories

Volvo Car Corporation Gothenburg, Sweden

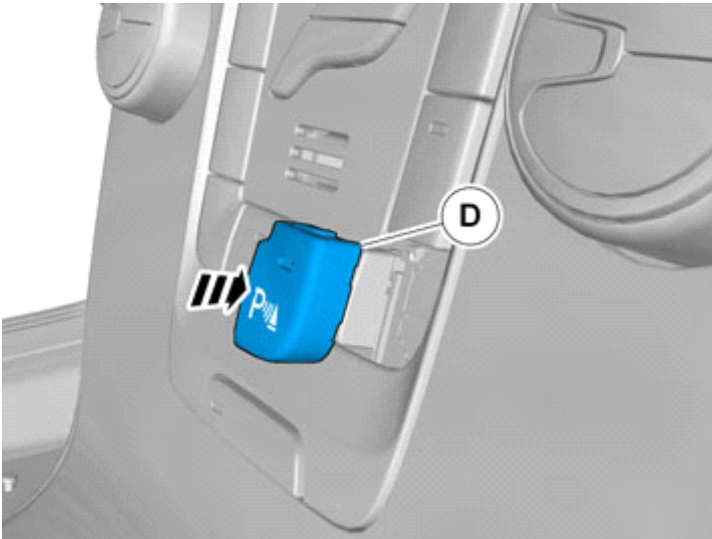
14



IMG-372207

Accessory installation

15



IMG-372208

Install component that comes with the accessory kit.

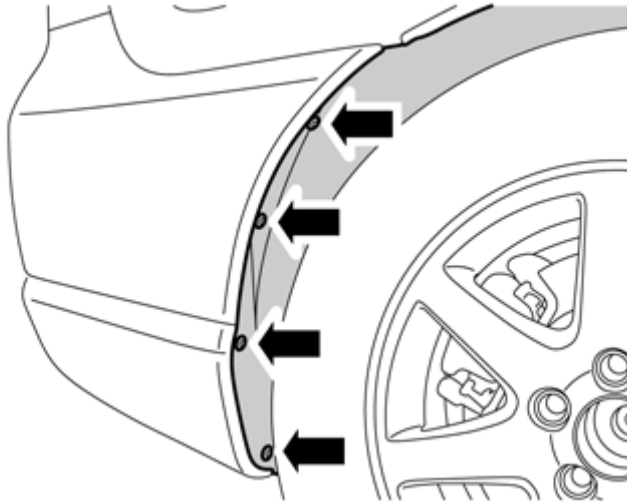
Removal



Installation instructions, accessories

Volvo Car Corporation Gothenburg, Sweden

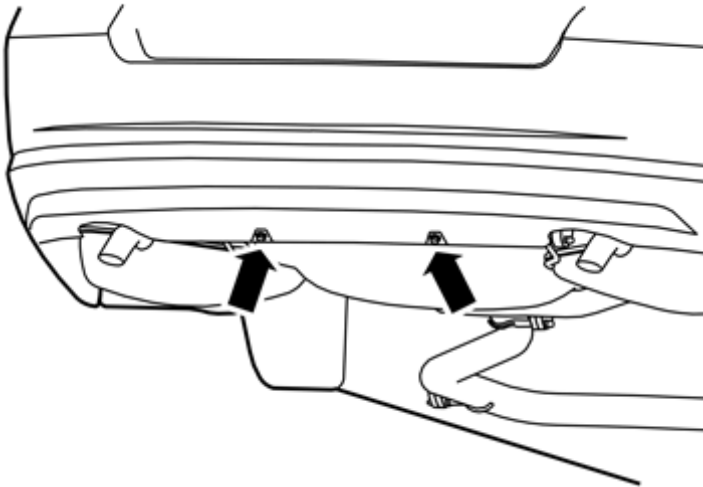
16



Remove the screws.

IMG-247266

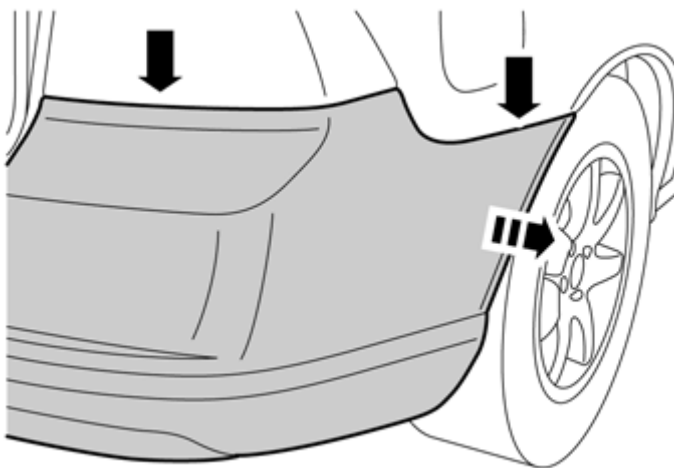
17



Remove the nuts.

IMG-211568

18



IMG-247267



Installation instructions, accessories

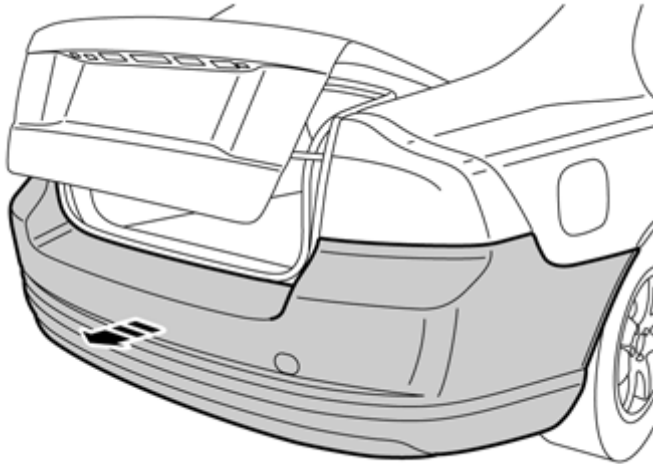
Volvo Car Corporation Gothenburg, Sweden

19

Repeat the steps when removing on opposite side.

IMG-377070

20



IMG-247268

Accessory installation

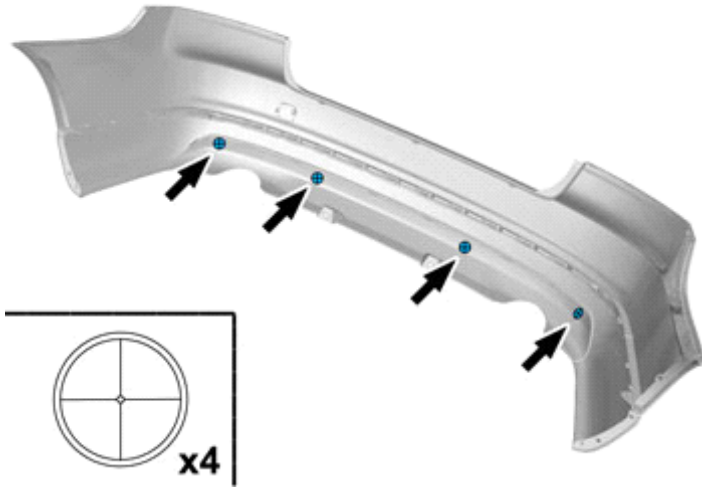


Installation instructions, accessories

Volvo Car Corporation Gothenburg, Sweden

21

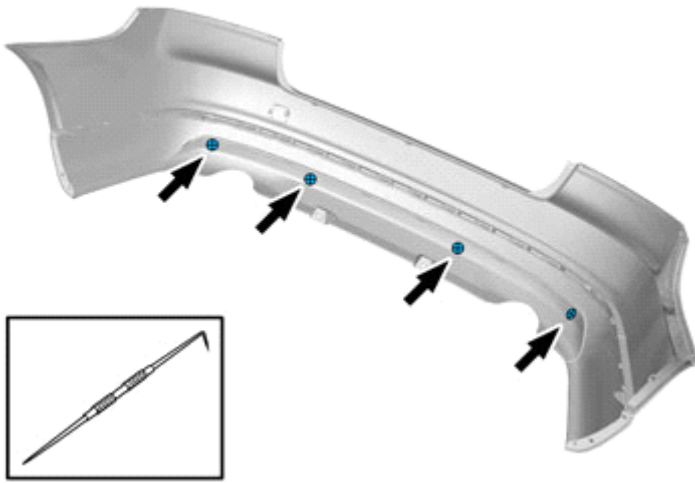
Locate the markings for the positions.



IMG-377128

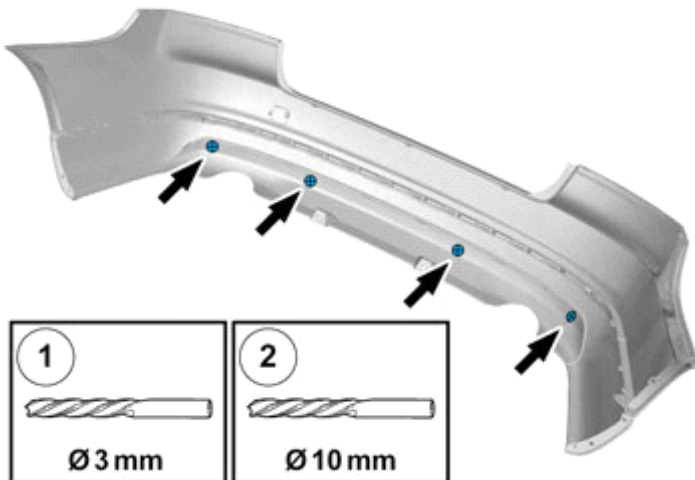
22

Mark the centre.



IMG-377129

23



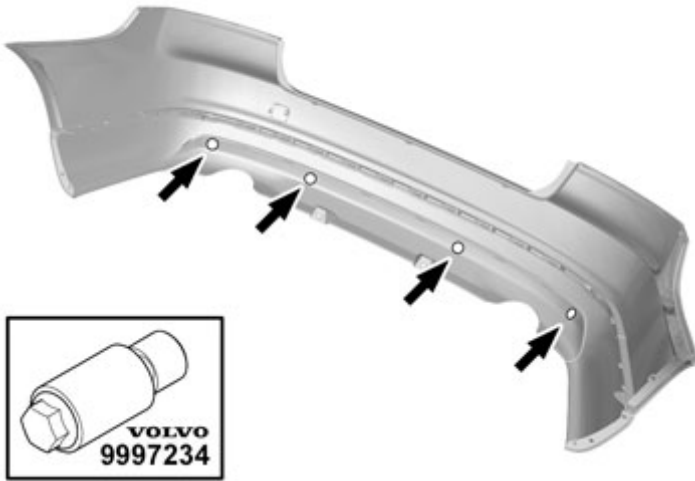
IMG-377127



Installation instructions, accessories

Volvo Car Corporation Gothenburg, Sweden

24

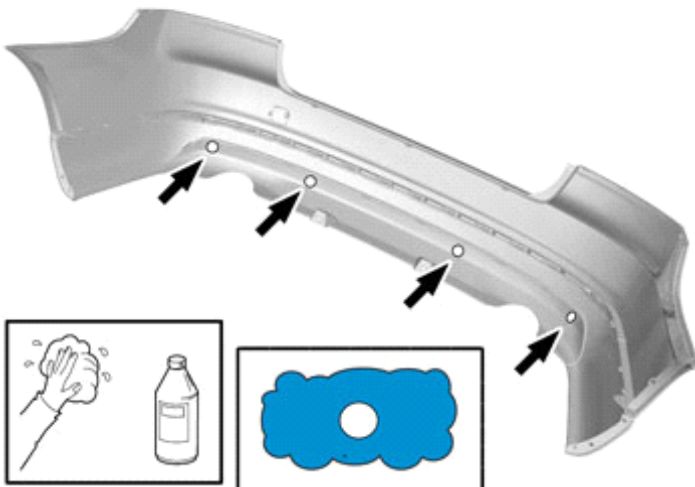


IMG-377126

Caution!
Sharp end of tool must be on outside of cover.

Use special tool: T9997234, Hole stamp

25



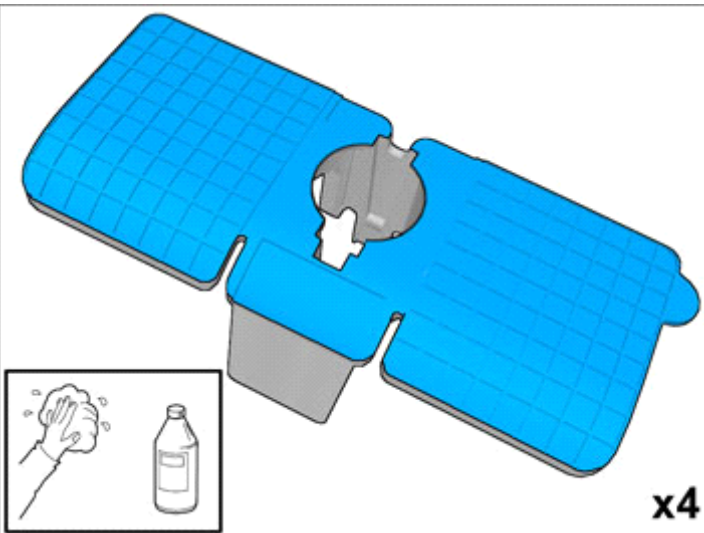
IMG-377125

Clean the surfaces.

Use: 1161721, Isopropanol

Allow to dry.

26



IMG-377130

Clean the surface.

Use: 1161721, Isopropanol

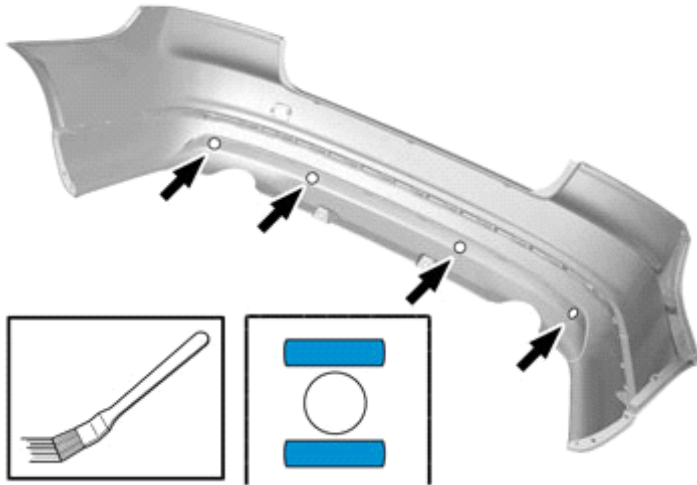
Allow to dry.



Installation instructions, accessories

Volvo Car Corporation Gothenburg, Sweden

27



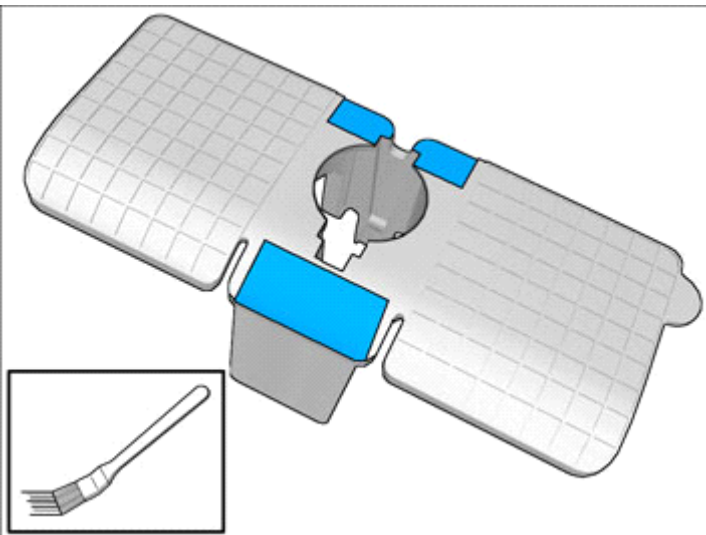
IMG-377124

Apply a thin and even layer.

Use: 8637076, Activator

Allow to dry for at least 10 minutes.

28



IMG-377131

Apply a thin and even layer.

Use: 8637076, Activator

Allow to dry for at least 10 minutes.

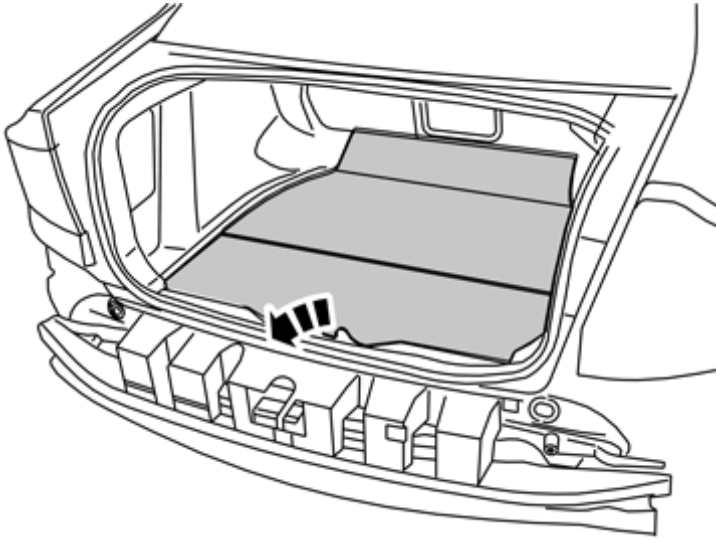
Removal



Installation instructions, accessories

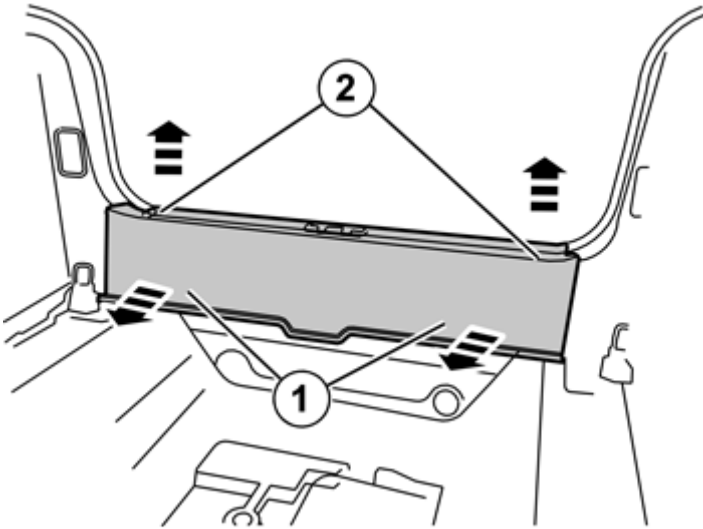
Volvo Car Corporation Gothenburg, Sweden

29



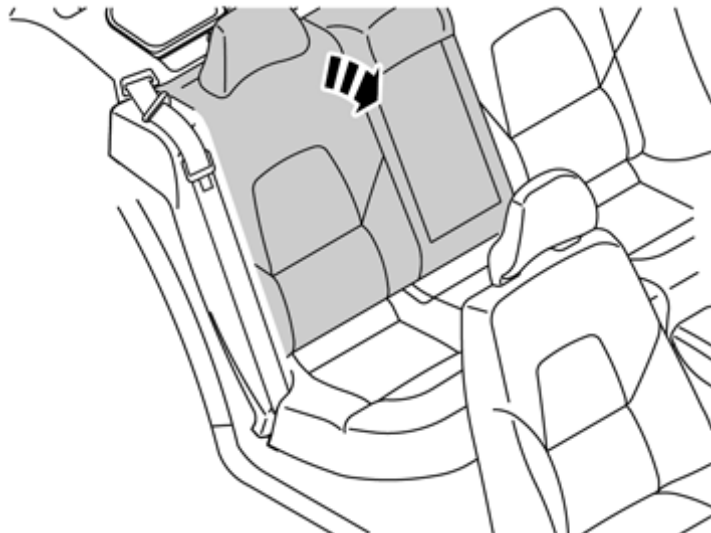
IMG-226907

30



IMG-226722

31



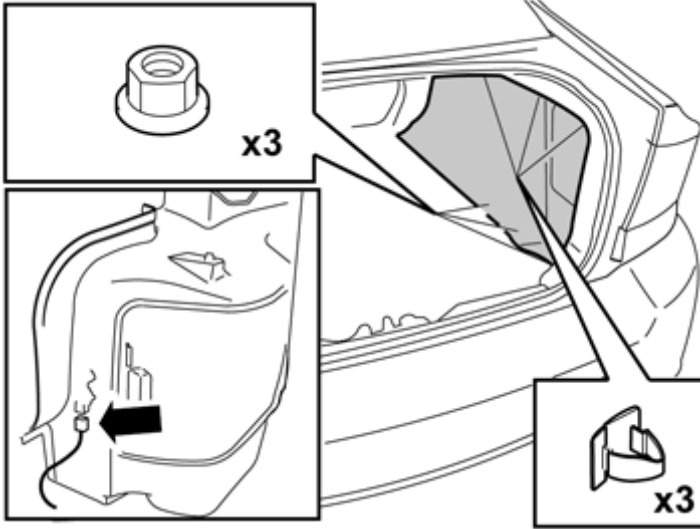
IMG-255684



Installation instructions, accessories

Volvo Car Corporation Gothenburg, Sweden

32



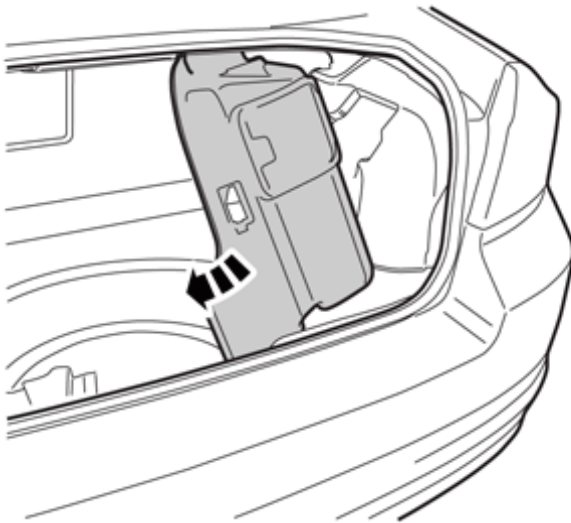
IMG-377132

Remove the nuts.

Remove the clips.

Disconnect the connector.

33



IMG-274367

Remove the panel.

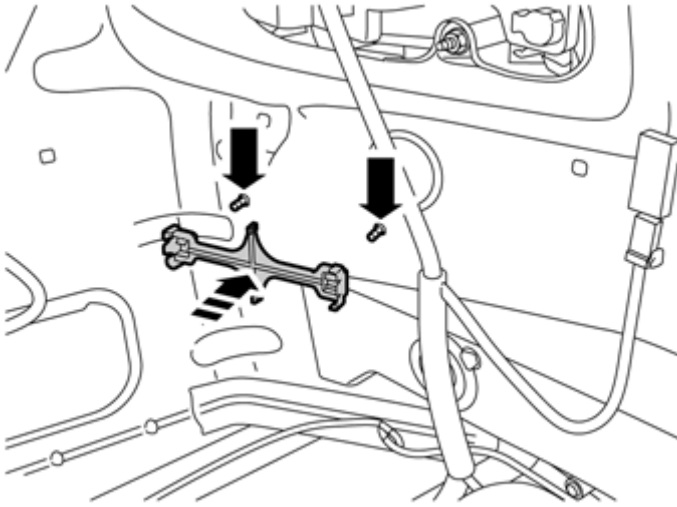
Accessory installation



Installation instructions, accessories

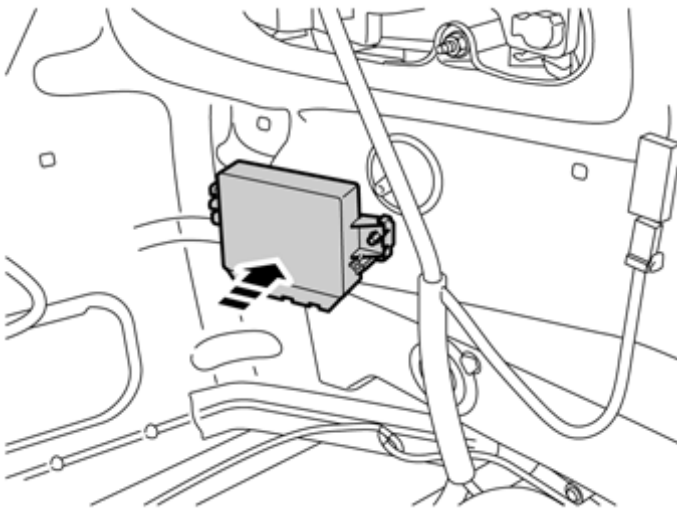
Volvo Car Corporation Gothenburg, Sweden

34



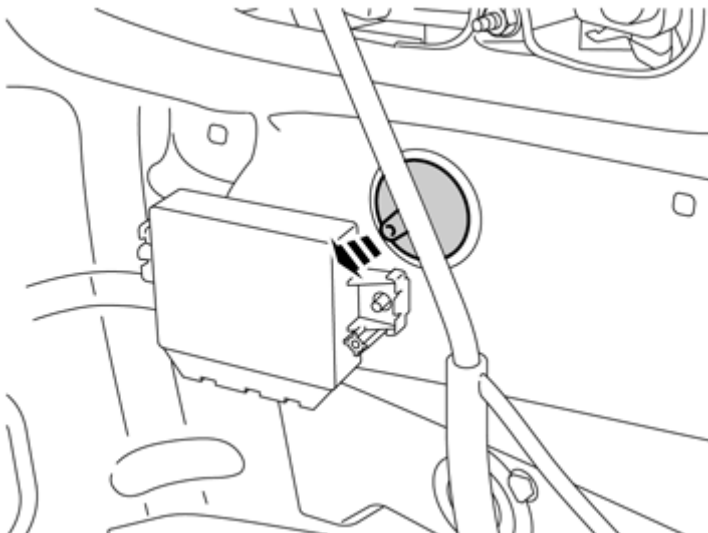
IMG-247272

35



IMG-247273

36



IMG-247274

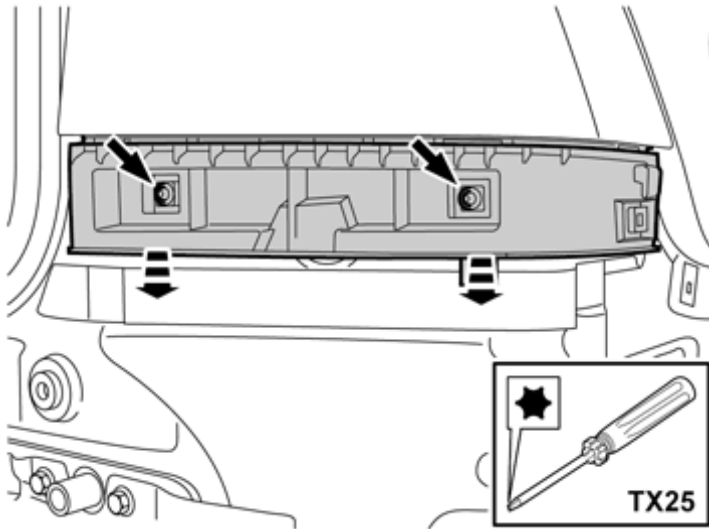
The part is not to be reused.



Installation instructions, accessories

Volvo Car Corporation Gothenburg, Sweden

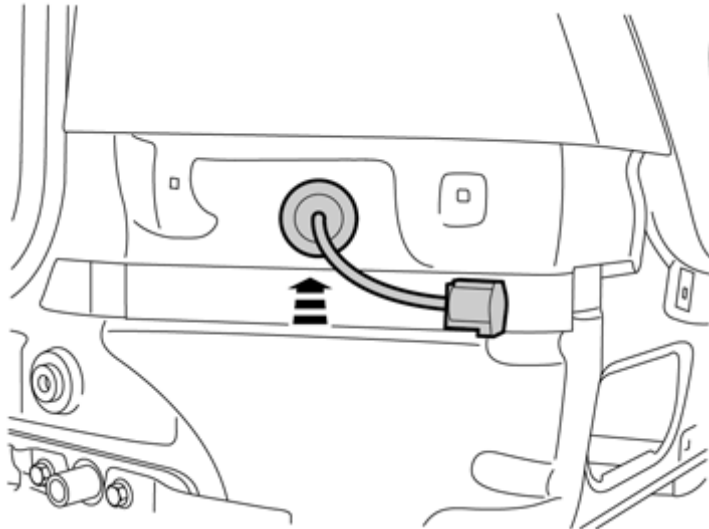
37



IMG-377135

Remove the screws.

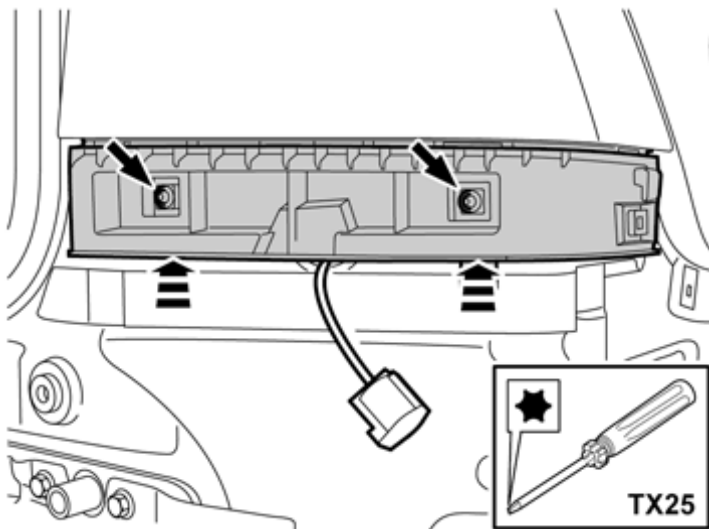
38



IMG-247276

Caution!
Make sure that the rubber grommet seals properly to the body.

39



IMG-377133

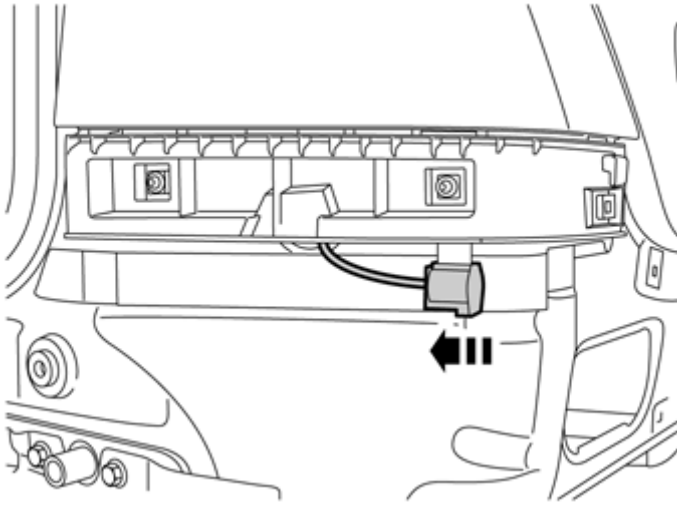
Reinstall the removed part.



Installation instructions, accessories

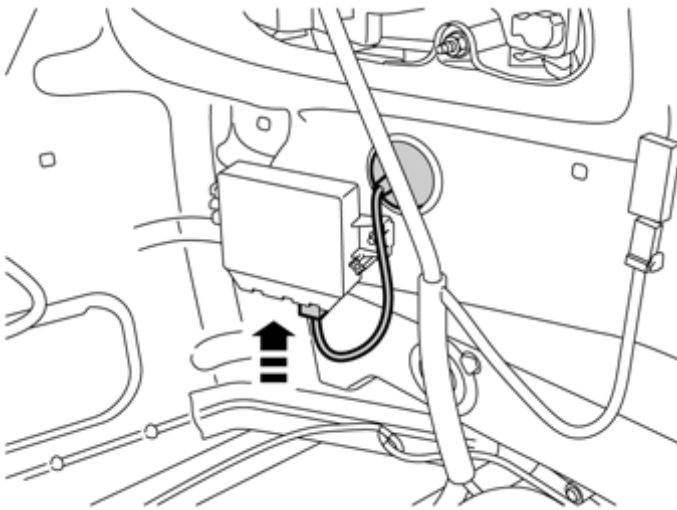
Volvo Car Corporation Gothenburg, Sweden

40



IMG-247277

41



IMG-247278

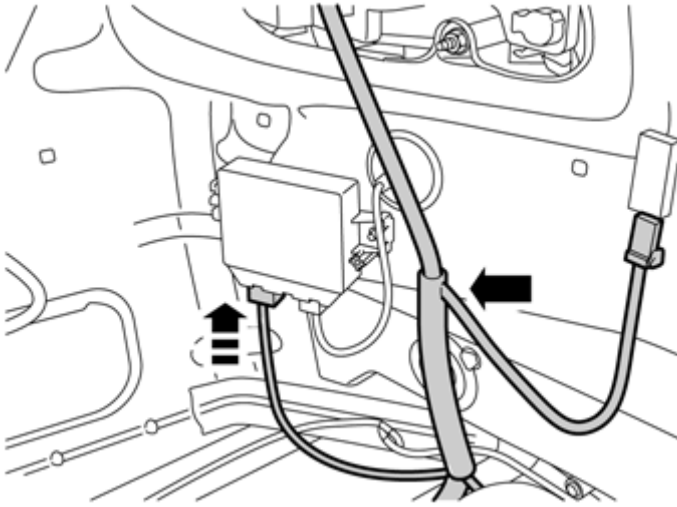
Connect the connector.



Installation instructions, accessories

Volvo Car Corporation Gothenburg, Sweden

42

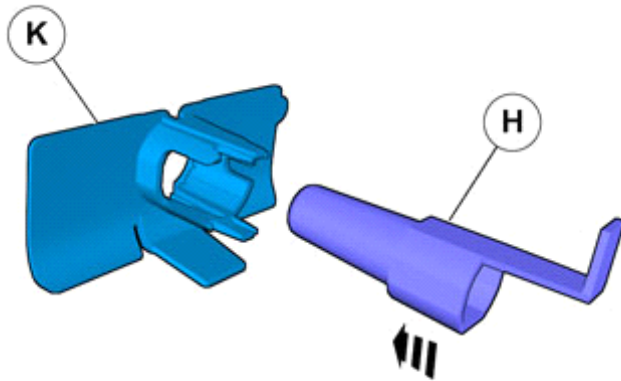


IMG-247279

Locate the existing connector in the vehicle's cable harness.

Connect the connector.

43

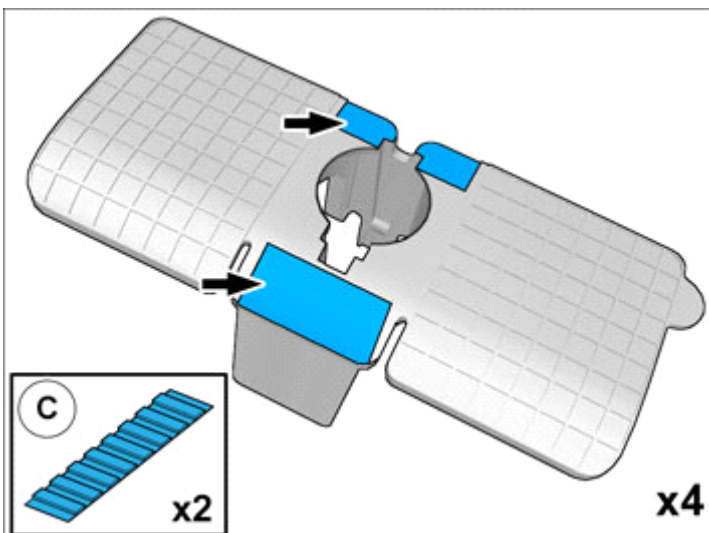


IMG-377195

Note!

Prepare and install one holder at a time.

44



IMG-377196

Note!

Ensure that the tape is fixed to the surface.

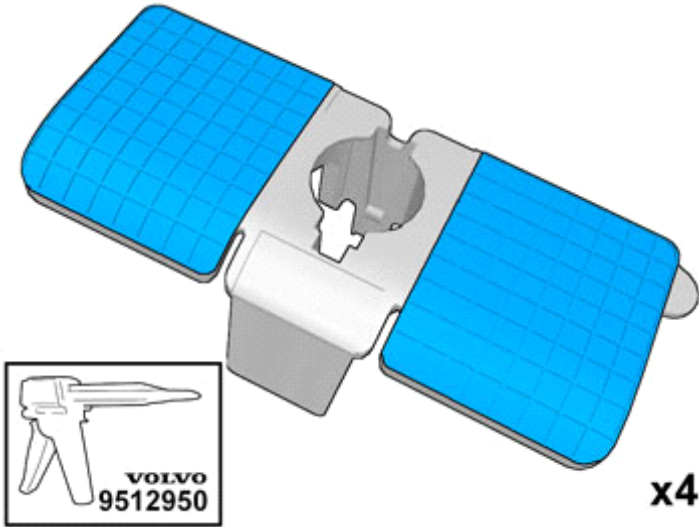
Remove the protective film.



Installation instructions, accessories

Volvo Car Corporation Gothenburg, Sweden

45



IMG-377137

Warning!

Make sure to provide adequate ventilation.

Warning!

Wear protective gloves.

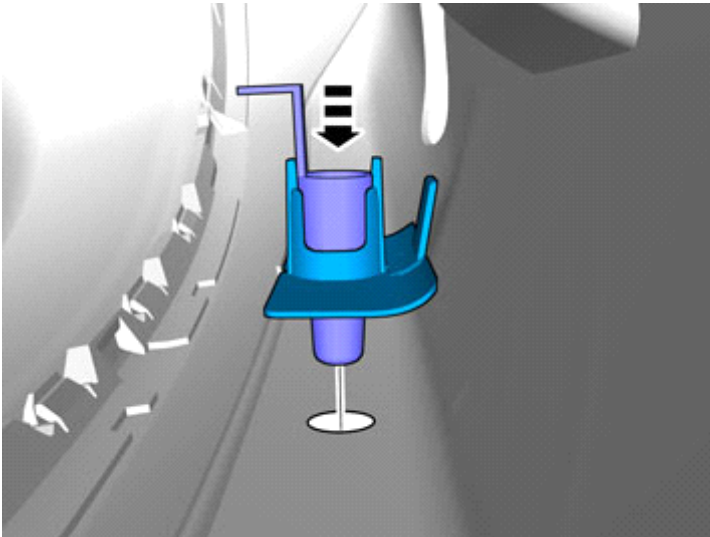
Apply a thin and even layer.

Use special tool: T9512950, Glue gun (kit)

Use: 1161730, Mixing pipe

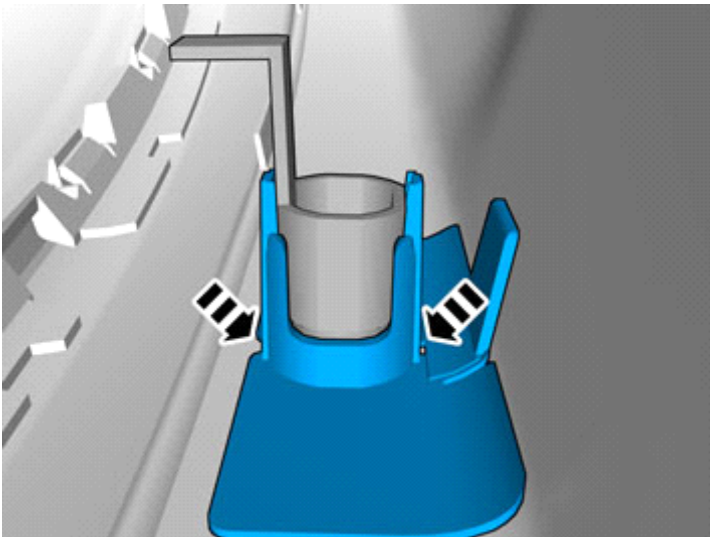
Use: 9511027, Glue

46



IMG-377177

47



IMG-377178

Note!

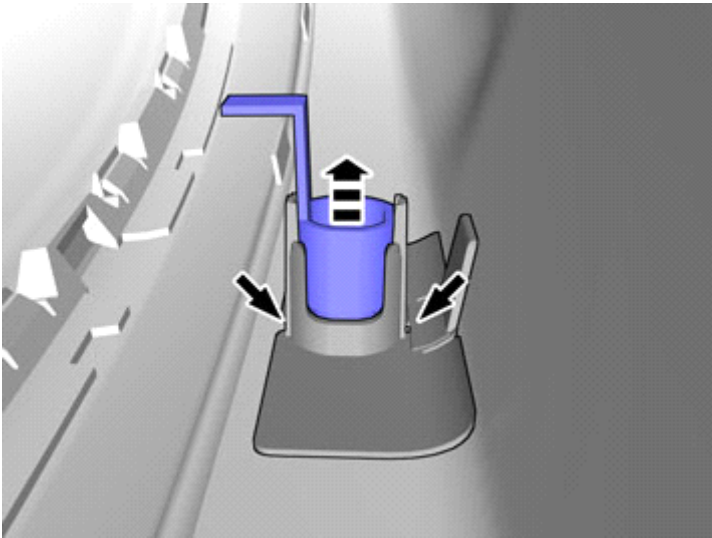
Apply pressure only where the tape is located.



Installation instructions, accessories

Volvo Car Corporation Gothenburg, Sweden

48

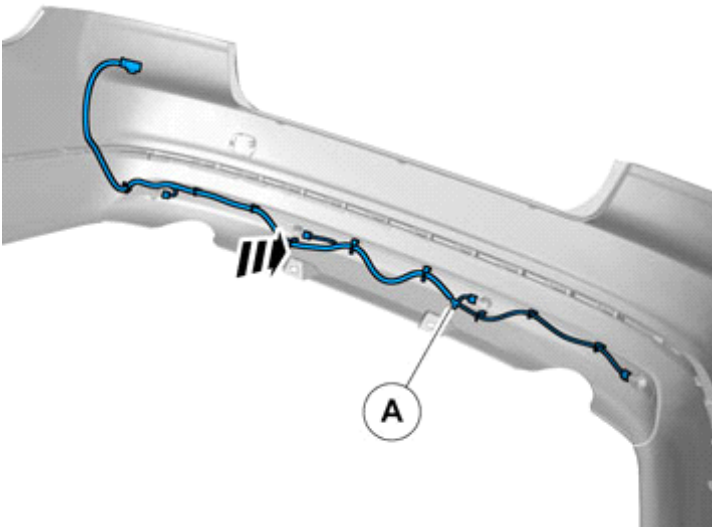


IMG-377179

Note!

Hold the part securely at the marker arrows when removing the tool.

49



IMG-377142

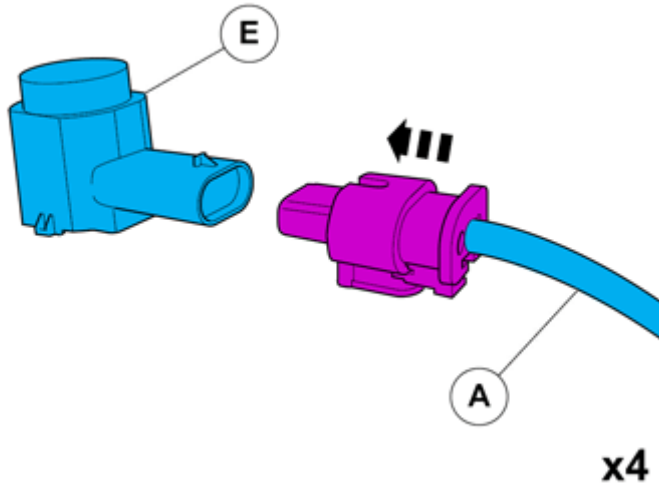
Put the wiring in the Bumper cover without installing the wiring.



Installation instructions, accessories

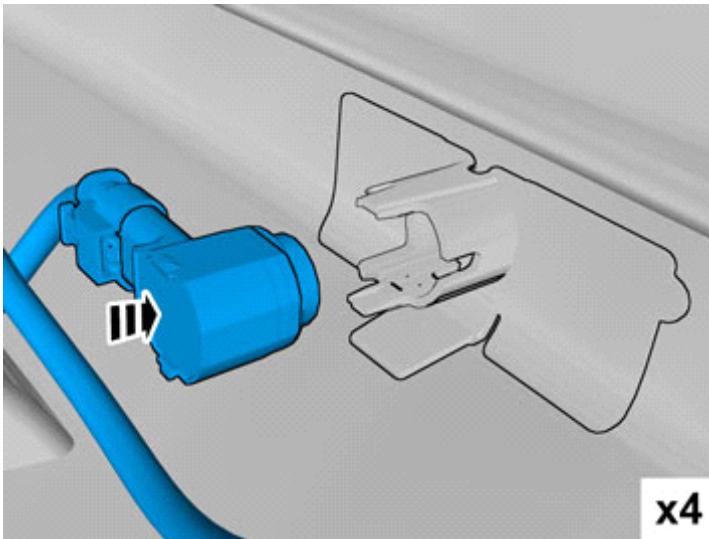
Volvo Car Corporation Gothenburg, Sweden

50



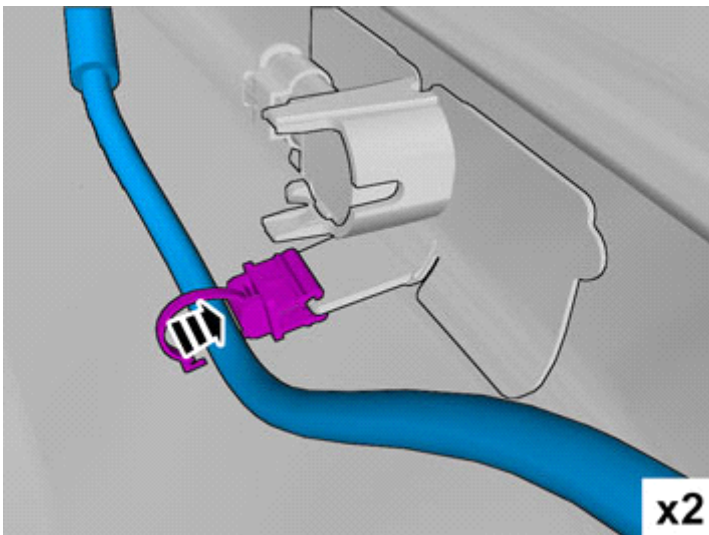
IMG-373743

51



IMG-377181

52



IMG-377184

Caution!

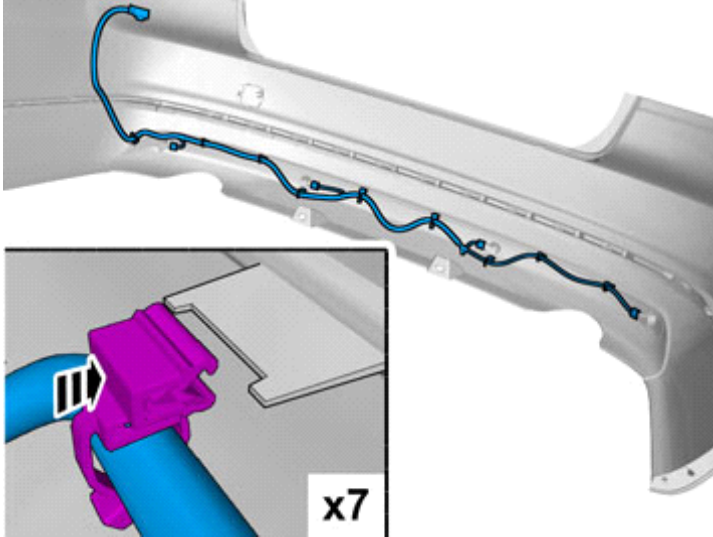
Hold the newly bonded sensor holder in position whilst pressing the clip into position.



Installation instructions, accessories

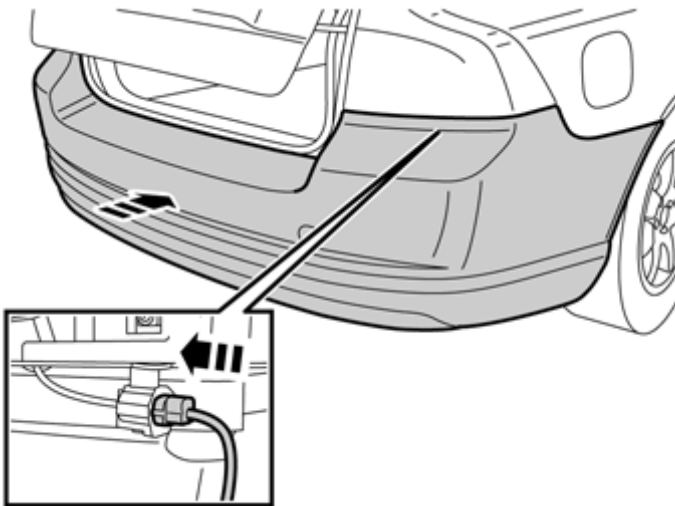
Volvo Car Corporation Gothenburg, Sweden

53



Installation

54



Place the Bumper Cover in position for installation.

Connect the connector.



Installation instructions, accessories

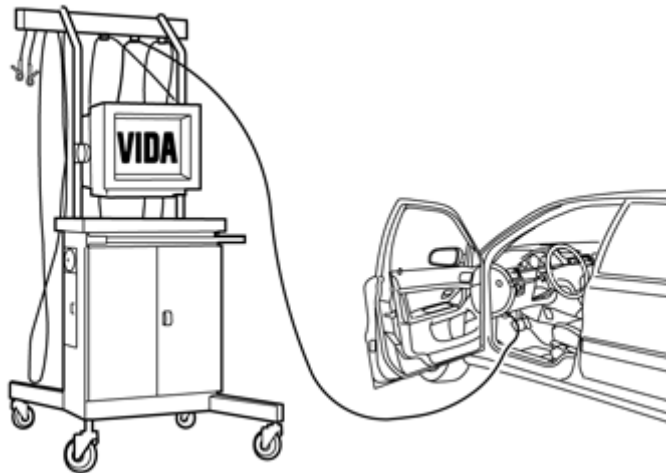
Volvo Car Corporation Gothenburg, Sweden

55

Reinstall the removed parts in reverse order.

IMG-377070

56



IMG-242268

Download software (application) for the accessory's function according to the service information in VIDA.

Order and download software according to: 30765571